

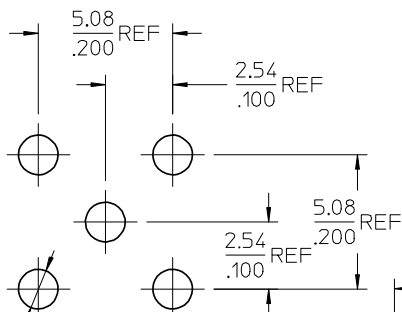
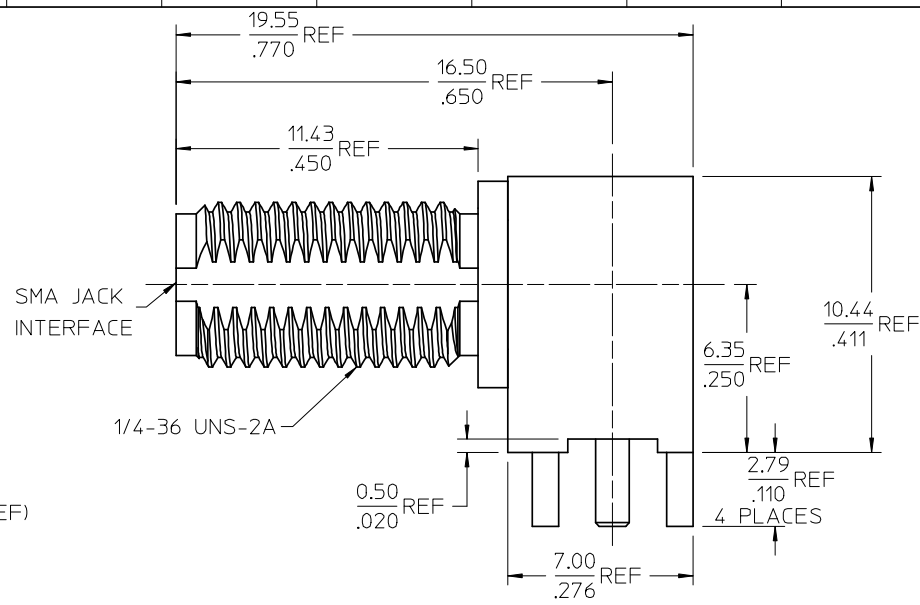
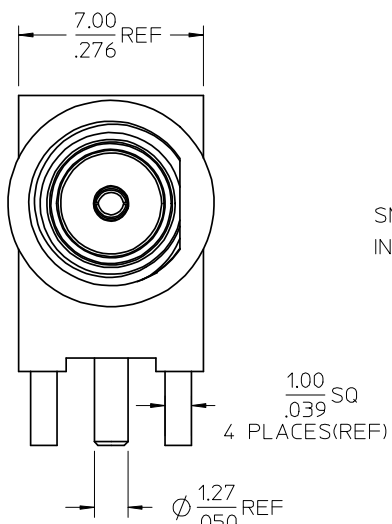
MATERIALS AND FINISHES

BODY, JAM NUT BRASS
PLATED SEE TABLE

CENTER CONTACT BERYLLIUM COPPER
PLATED GOLD

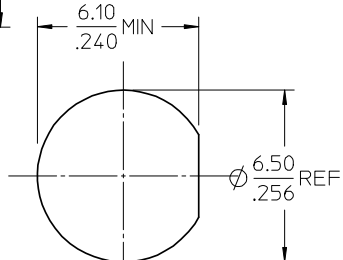
INSULATOR TEFLON

LOCKWASHER PHOSPHOR BRONZE
PLATING SEE TABLE

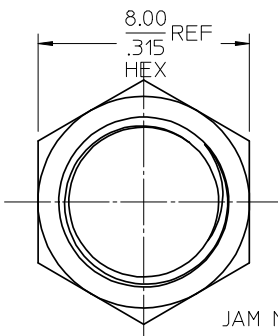


RECOMMENDED PCB HOLE CONFIGURATION

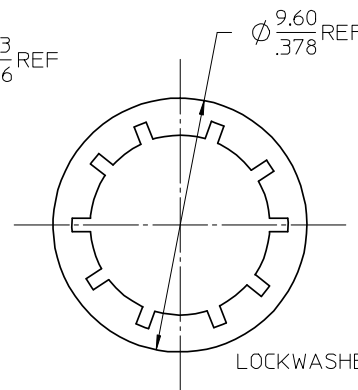
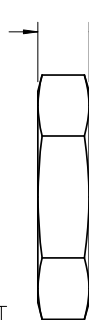
ϕ 1.50 REF (.059) 5 PLACES



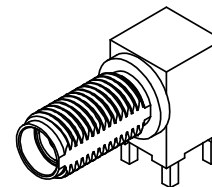
RECOMMENDED PCB HOLE CONFIGURATION



JAM NUT



LOCKWASHER



PS-73598-0460	ELECTRO/MECH PERFORM.
SPECIFICATION	DESCRIPTION

73251-2203	GOLD FLASH AND BY TRAY (54 CAV.)
73251-2202	73251-2201 BY TRAY (20 CAV.)
73251-2201	GOLD
73251-2200	NICKEL
PART NO.	PALTING (BODY, NUT, LOCKWASHER)

ADDED P/N -2203	EC NO: URF2008-0475	QUALITY SYMBOLS ▽=0 ▽=0
	DRW:INLIN 2008/03/27	
REV: D3	CHKD: 2008/03/27	DESCRIPTION
	APPR:MHUANG 2008/03/27	

GENERAL TOLERANCES (UNLESS SPECIFIED)	mm	INCH
	4 PLACES ± .005	± .0005
	3 PLACES ± .005	± .0005
	2 PLACES ± .005	± .0005
	1 PLACE ± .005	± .0005
ANGULAR ± 2°		
DRAFT WHERE APPLICABLE MUST REMAIN WITHIN DIMENSIONS		

DIMENSION STYLE MM/IN	
DRAWN BY CLAIRE LEE	DATE 2003/08/29
CHECKED BY	DATE
APPROVED BY	DATE
MATERIAL NO. SEE TABLE	DOCUMENT NO. SD-73251-220
SIZE C	THIS DRAWING CONTAINS INFORMATION THAT IS PROPRIETARY TO MOLEX INCORPORATED AND SHOULD NOT BE USED WITHOUT WRITTEN PERMISSION

SCALE METRIC	DESIGN UNITS METRIC	THIRD ANGLE PROJECTION
TITLE SMA JACK, R/A PCB SMA-J/RA/PCB		
MOLEX MOLEX INCORPORATED		SHEET NO. 1 OF 1